

# MRP

## SUPPORTS

MRP SUPPORTS  
3310 N. BENZING ROAD  
ORCHARD PARK, NY 14127-1538  
TOLL FREE: 1-800-828-8424  
PHONE: (716) 332-7673  
FAX: (716) 332-7676  
www.mrpsupports.com

SELECT DESIRED JOIST:

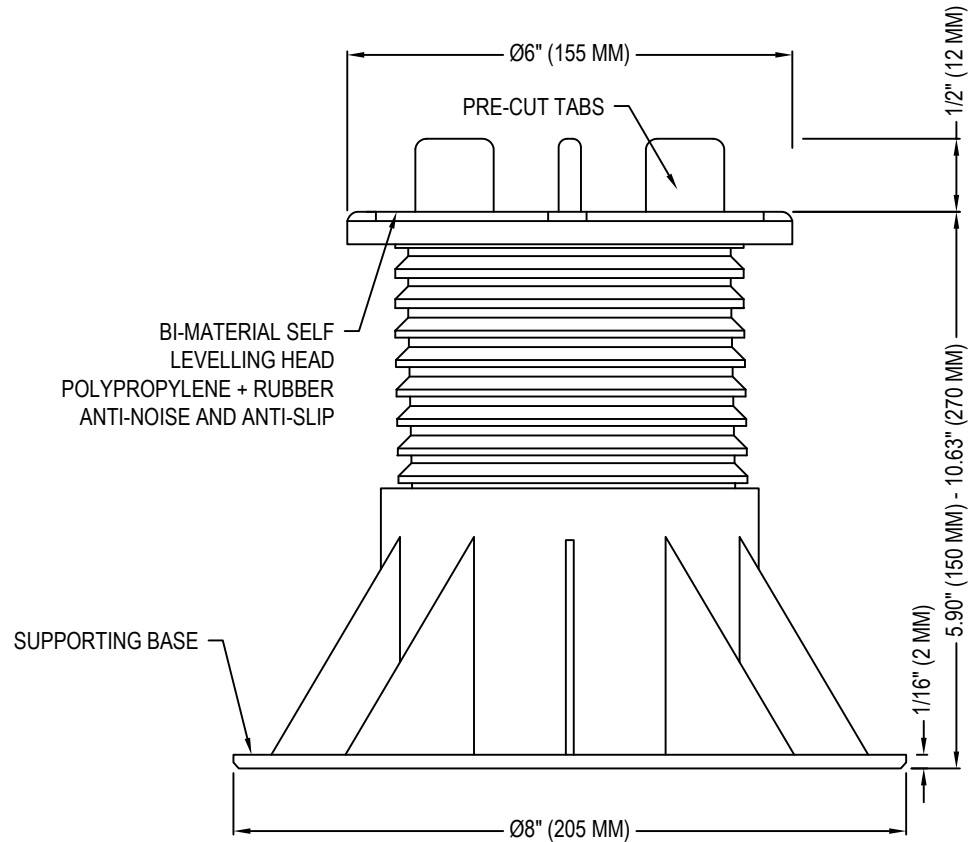
- WOOD
- ALUMINUM

SELECT DESIRED OPTION TO LEVEL FINAL GRADE:

- SLOPE COMPENSATOR
- SHIMS

SELECT DESIRED ACCESSORY:

- PINS (IPE DECK TILES)



SECTION

**SPECIFICATIONS:**

**MATERIAL:** POLYPROPYLENE AND RUBBER (HEAD TOP FINISHING) [RECYCLABLE MATERIAL]

**TAB WIDTH:** 5/32" (4 MM)

**WEIGHT:** 1.29 LBS (0.583 KG)

**LOAD CAPACITY:** 3300 LBS

**CENTRAL COMPRESSION LOADING LIMIT RESISTANCE:** 28.6 KN

**ECCENTRIC COMPRESSION LOADING LIMIT RESISTANCE:** 18.89 KN

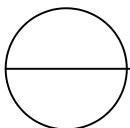
- BASE IS PROVIDED OF HOLES FOR WATER DRAINAGE AND 4 PRECUT LINES TO FACILITATE ANY CUTTING OF THE BASE IN CASE OF NEED.

- HEIGHT CAN BE ADDED TO ANY PEDESTAL WITH THE USE OF THE NM EXTENSION

- LEED CERTIFIED

**NOTES:**

1. INSTALLATION TO BE COMPLETED IN ACCORDANCE WITH MANUFACTURER'S SPECIFICATIONS.
2. DO NOT SCALE DRAWING.
3. THIS DRAWING IS INTENDED FOR USE BY ARCHITECTS, ENGINEERS, CONTRACTORS, CONSULTANTS AND DESIGN PROFESSIONALS FOR PLANNING PURPOSES ONLY. THIS DRAWING MAY NOT BE USED FOR CONSTRUCTION.
4. ALL INFORMATION CONTAINED HEREIN WAS CURRENT AT THE TIME OF DEVELOPMENT BUT MUST BE REVIEWED AND APPROVED BY THE PRODUCT MANUFACTURER TO BE CONSIDERED ACCURATE.
5. CONTRACTOR'S NOTE: FOR PRODUCT AND COMPANY INFORMATION VISIT [www.CADdetails.com/info](http://www.CADdetails.com/info) AND ENTER REFERENCE NUMBER 5359-021.



## ADJUSTABLE PEDESTAL SUPPORTS

NM ADJUSTABLE PEDESTAL SUPPORTS: NM-5