



Blossom | Side Table

The sculptural legs of this side table are made from immortalized rosebush branches, molded in brass casting. Coupled with a minimalistic and elegant marble top, the Blossom is a poetic handcrafted tribute to Nature's textures and patterns.

AS PICTURED

MATERIALS & FINISHES

Top: Negro Marquina marble in polished finishing.

Rim: Polished Brass.

Legs: Cast brass with Brass finishing.

DIMENSIONS

Ø: 31 cm | 12,2"

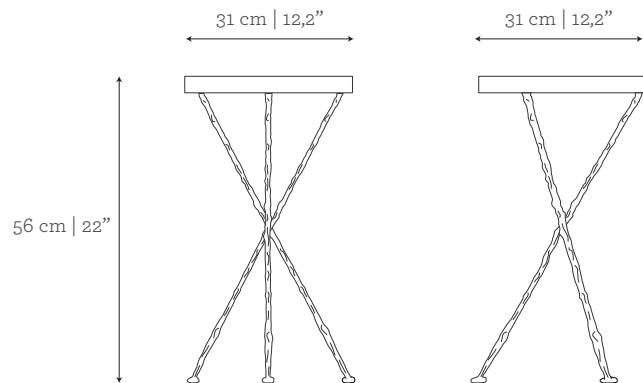
H: 56 cm | 22"

CUSTOM/BESPOKE

This product is not suitable for customization.

ENVIRONMENT

This product is made for living areas in interior spaces only. This product is not specified for bathrooms, spa's or humid environments. Not suitable for exteriors.



VOLUME

0,05 m³ | 1,77 ft³

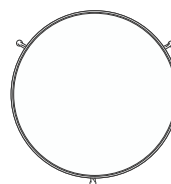
WEIGHT

7 kg | 15,4 lbs

Packed (in reinforced carton case)

0,09 m³ | 3,18 ft³

9 kg | 19,8 lbs



PRODUCT OPTIONS

Blossom | Side Table

MATERIALS & FINISHES

Top: Romano Travertine in natural finishing; or Carrara, Negro Marquina, Estremoz, Estremoz Rose or Guatemala Green marble in polished finishing.

Rim: Stainless steel coated with Brass, Nickel or Copper in polished or brushed finishing.

Legs: Cast Brass with Brass, Antique Brass, Silver, Antique Silver, Copper or Antique Copper.

Top:



**ROMANO
TRAVERTINE**
Natural



CARRARA
Polished



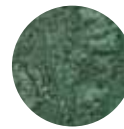
**NEGRO
MARQUINA**
Polished



ESTREMOZ
Polished



**ESTREMOZ
ROSE**
Polished



**GUATEMALA
GREEN**
Polished

Rim:



BRASS
Polished



BRASS
Brushed



NICKEL
Polished



NICKEL
Brushed



COPPER
Polished



COPPER
Brushed

Legs:



BRASS
Brass



ANTIQUE BRASS
Brass with patina



SILVER
Brass with
silver leaf



ANTIQUE SILVER
Brass with silver
leaf and patina



COPPER
Brass with
copper leaf



ANTIQUE COPPER
Brass with copper
leaf and patina